

## FLD-O2W-SP

## Sensing Probe for Oil-On-Water Leak Detection

FLD-O2W-SP is a fully encapsulated high-performance sensing probe designed for detecting leaks of refined products or crude oil floating on water surface in extreme environmental conditions. This probe can also be used as cost-effective zero-false-alarms hydrocarbon fumes detector. UV/ozone resistant, it is specially engineered for reliable operation during long-term immersion in water and in icing conditions and is suitable for polar applications. The maximum length of sensor probe is limited to 48-in / 122 cm. The sensing probe can be wired to the acquisition module through an optional jumper cable with a maximum length of 300ft. / 90m.

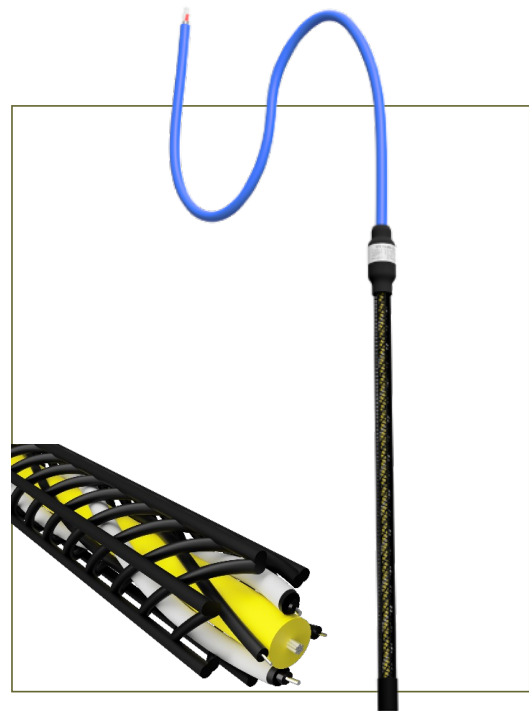
Advanced measurement techniques and data treatment algorithms are used by Naftosense monitoring modules to provide quick detection in a very wide temperature range. The sensor is reusable and easily detachable for cleaning.

FLD-O2W-SP probe is designed to be used exclusively with acquisition modules or intrinsically safe field boxes offered by NAFTOSENSE providing industry-standard analog outputs, dry contacts, or serial communication protocols for flexible integration with third-party monitoring panels or PLC.

FLD-O2W-SP is a passive simple element and is safe for installations in hazardous locations when connected to intrinsically safe field box or wired through an approved Zener barrier to acquisition modules, alarm panels or other monitoring equipment installed in the safe area. Please contact NAFTOSENSE for additional information.

### Features and Benefits

- Detects very quickly leaks of combustible liquids in a very wide temperature ranges in under 30 seconds!
- 10-Year Factory warranty on Sensors that are cleanable and reusable after contamination
- Dynamic leak alarms of the sensors relative contamination can be seen on display models
- Fully passive sensor – suitable for installations in hazardous locations
- Able to detect quickly fumes/vapors diffused in the soil or above ground



*Photos and illustrations are not contractually binding and are subject to change without notice.*

### Approvals:



*Tested by FM Approvals for compliance to FM Class 3610 and FM7745 standard*

## FLD-O2W-SP

## Sensing Probe for Oil-On-Water Leak Detection

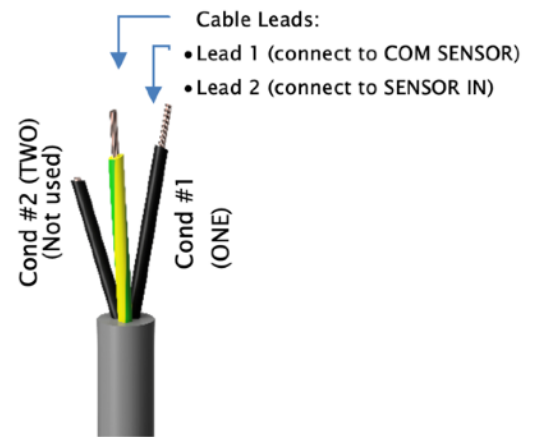
### Typical Applications

- Leak detection around generators, Subbase tanks, day tanks, and supply and return plumbing in Data Centers, Industrial Facilities, Hospitals and Commercial buildings
- Fuel / Oil on water Leak detection in outdoor containment areas and sumps
- Detection of leaking fuel oil from boiler installations, Fuel oil storage, and supply and return plumbing
- Leak detection in fuel retail facilities

Typical Detection Times	
Gasoline, Jet Fuel, Diesel	20 to 28 seconds*
Light Crude Oil	45 to 60 seconds
Heavy Crude Oil, Dilbit	3 to 4 minutes
Motor Oil, Silicone Oil	8 to 10 minutes
Propane, Butane	25 to 30 seconds**

\*These performance metrics are tested and validated by FM Approvals

\*\*When detecting vapors/LPG, the sensing probe must be placed in the lowest point where the fluid will accumulate.



Technical Data	
Operating Life	30+ years at 104°F (materials tested in natural ageing conditions)
Compatibility	Approved NAFTOSENSE field boxes, monitoring modules and controllers*
Maximum diameter	1.06 in (27 mm)
Ingress Rating	IP68 – suitable for outdoor/direct burial
Operating Temperature Range	-40°F to +185°F (-40°C to +85°C )
Maximum Length of Cable/ Probe	Sensor Probe: 4 ft. (122 cm) Leader Cable (AWG22 mini): 300 ft. (90 m)
Hazardous Locations Classification	IS/ I/ 1/ ABCD/ T4 ; I/ 0/ AEx/ ia IIC T4 ; Class I, Zone 0, Ex ia T4 Class I, Div. 1, Groups A,B,C,D; T4  II 1 G Ex ia IIC T4 Ga

\*FLD-O2W-SP probe can be interfaced with various approved acquisition modules for wired or wireless installations in hazardous locations. For additional information please consult NAFTOSENSE.

## FLD-O2W-SP

## Sensing Probe for Oil-On-Water Leak Detection

Product Codes	
FLD-O2W-SP-6	Passive Hydrocarbon Sensor Probe of 6-in (15 cm) with 10-ft (3 m) indoor-rated lead cable
FLD-O2W-SP-10	Passive Hydrocarbon Sensor Probe of 10-in (25 cm) with 10-ft (3 m) outdoor-rated lead cable
FLD-O2W-SP-24	Passive Hydrocarbon Sensor Probe of 24-in (61 cm) with 10-ft (3 m) outdoor-rated lead cable
FLD-O2W-SP-36	Passive Hydrocarbon Sensor Probe of 36-in (91 cm) with 10-ft (3 m) outdoor-rated lead cable
FLD-O2W-SP-48	Passive Hydrocarbon Sensor Probe of 48-in (122 cm) with 10-ft (3 m) outdoor-rated lead cable

On request, the leader cable can be extended to up to 300-ft. (90 m) Optionally, approved connector can be assembled at the end of the lead cable. For additional information please consult NAFTOSENSE.